



JUNGLECAT™ Landscape

COMMERCIAL & INDUSTRIAL IRRIGATION BOOSTER SYSTEM

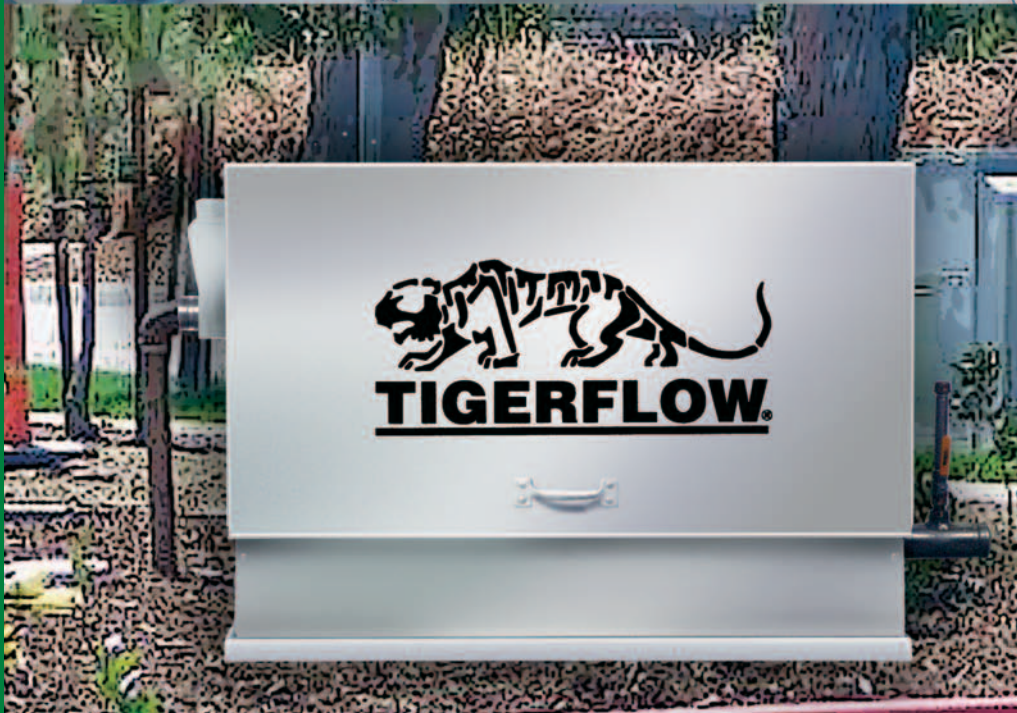
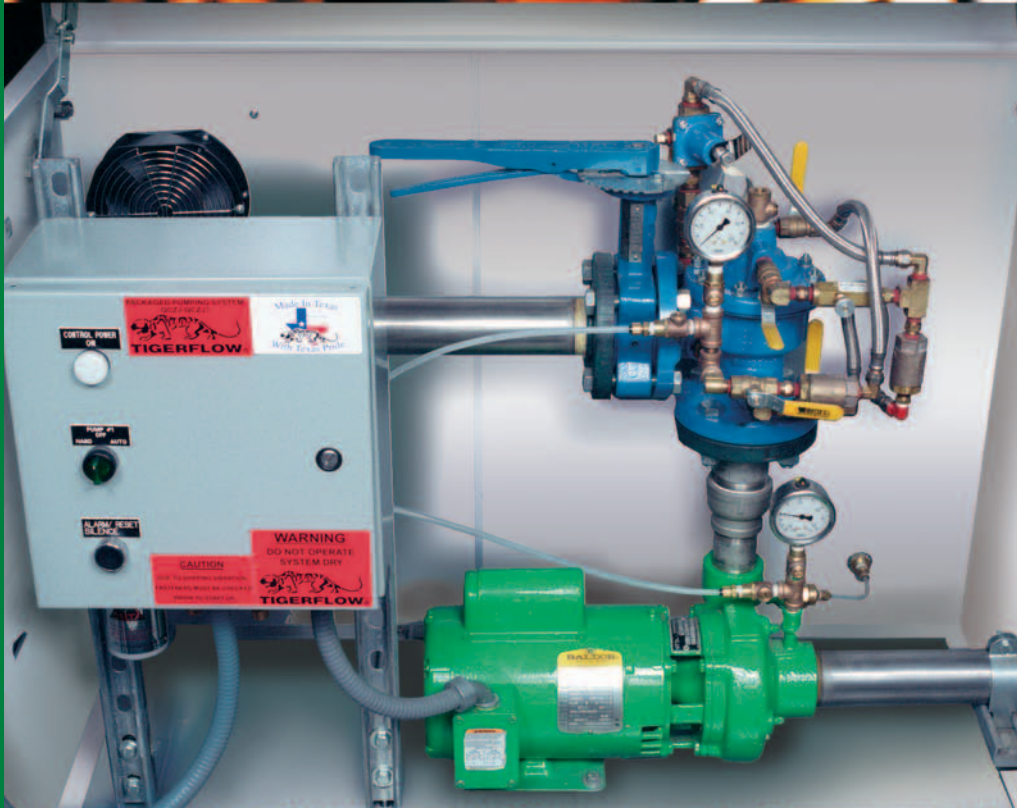
 **3rd PARTY
CERTIFIED - UL/
C-UL LISTED
SYSTEMS**

 **CITY of LOS
ANGELES
APPROVAL CODE
#P3-0198-45E**

 **VANDAL/
WEATHER-PROOF
ENCLOSURE**

 **PREFABRICATED &
FACTORY TESTED**

 **SINGLE SOURCE
RESPONSIBILITY**



Cost-effective booster system perfect for Wholesalers & Contractors

STANDARD FEATURES:

3rd Party Certified UL listed system
 City of Los Angeles Approval Code #M-98006
 CMR248 Massachusetts State Plumbing Code Approval #P3-0198-45E
 Prefabricated & Factory Tested
 Single source responsibility

Enclosure:

Vandal & weather proof marine grade aluminum (stainless steel optional)
 Hinged cover with stops to hold cover open
 Internally bolted and grouted enclosure
 Exhaust fan

Hydraulics:

Close coupled end suction pump 0 - 600 GPM, 1/3 - 20 HP
 Factory set pressure regulating valve
 2-1/2 liquid filled gauge

Standard construction

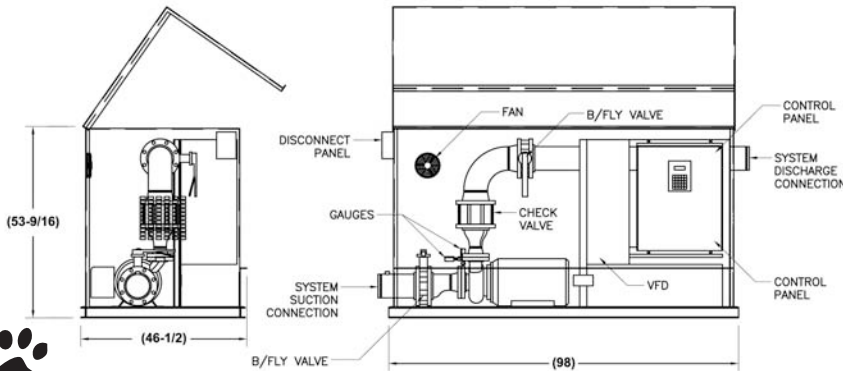
Single or three phase motors as required
 Open drip proof motors are standard
 Pre-piped with isolation Valve
 Optional internal bi-pass system available

Controls:

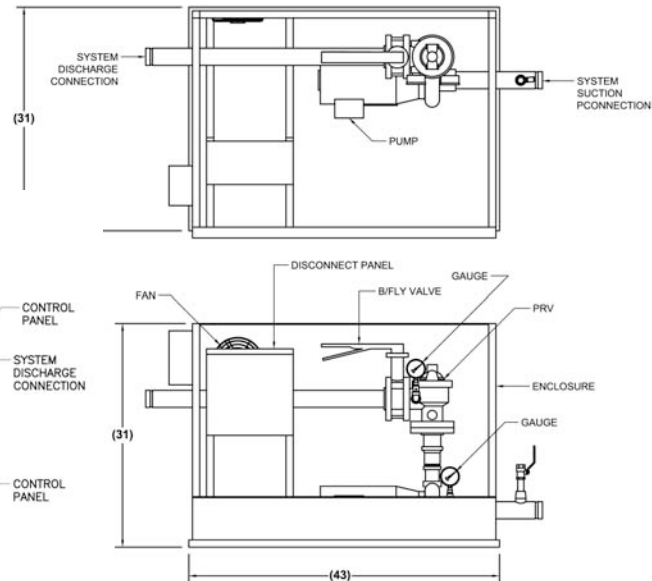
UL 508 NEMA 4 power & control panel
 Starters mounted and wired
 Transformer as required
 External Power connection
 Control circuit - 24v DC or pressurized
 Non electric temperature probe
 Minimum run timer
 Low Suction pressure alarm
 H-O-A switch
 Optional Tiger's Eye Controller for variable speed applications
 Lightning Arrester

JUNGLECAT LANDSCAPE IRRIGATION BOOSTER SYSTEM ARE IDEAL FOR:

- Parks
- Sport Facilities
- Apartment Projects
- Shopping Centers
- Streetscapes
- Commercial Landscape



Standard VFD Configuration



Standard PRV Configuration



TIGERFLOW®
 Engineered Systems to the World

4034 Mint Way • Dallas, TX 75237

(800) 783-6756

Tel: (214) 337-8780 • Fax: (214) 333-2742

www.TIGERFLOW.com • E-mail: Sales@TIGERFLOW.com

REPRESENTED BY: